

Vocabulary Quiz for 2nd Grade Unit-1

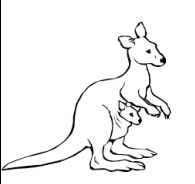



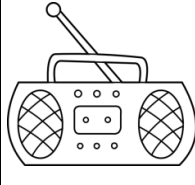


Name-Surname:

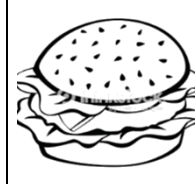

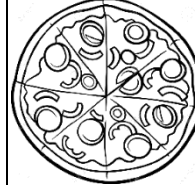

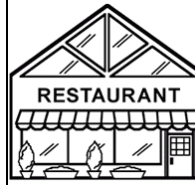
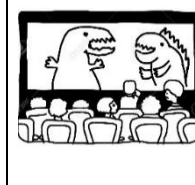
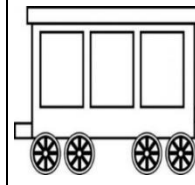
Class:

Number:

A- Match the words with the pictures.

Zebra	University	Milkshake	Hamburger	Wagon	Radio	Office
Sandwich	Cinema	Restaurant	Pizza	Hotel	Kangaroo	Cheetah


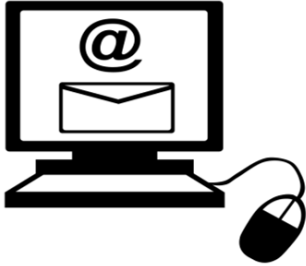





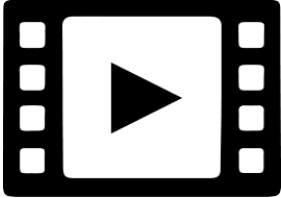
	1-.....
	2-.....
	3-.....
	4-.....
	5-.....
	6-.....
	7-.....

	8-.....
	9-.....
	10-.....
	11-.....
	12-.....
	13-.....
	14-.....

B- Draw the pictures.

	15a-balloon		15b-cake
	16a-tennis		16b-train
	17a-television		17b-football
	18a-lemon		18b-biscuit

C- Write the first letters.

			
19- _UDO	20- _-MAIL	21- _OCTOR	22- _OGHURT
			
23- _MBULANCE	24- _ARKET	25- _ORILLA	26- _IDEO